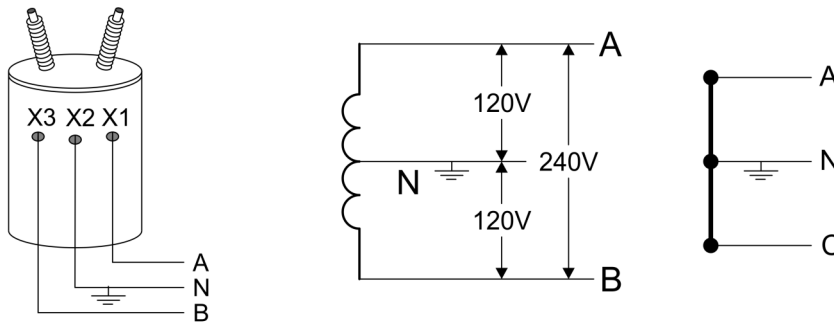


Power Measurements Technical Bulletin

Meter Site Data Sheet Three Wire Single Phase 12S Meter

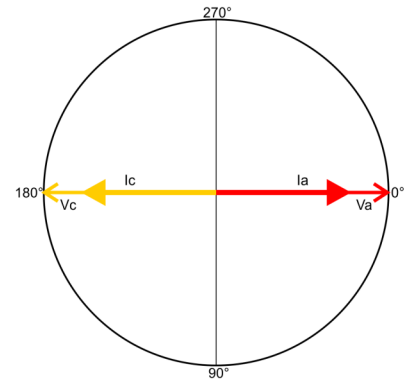
Distribution Transformer Configuration



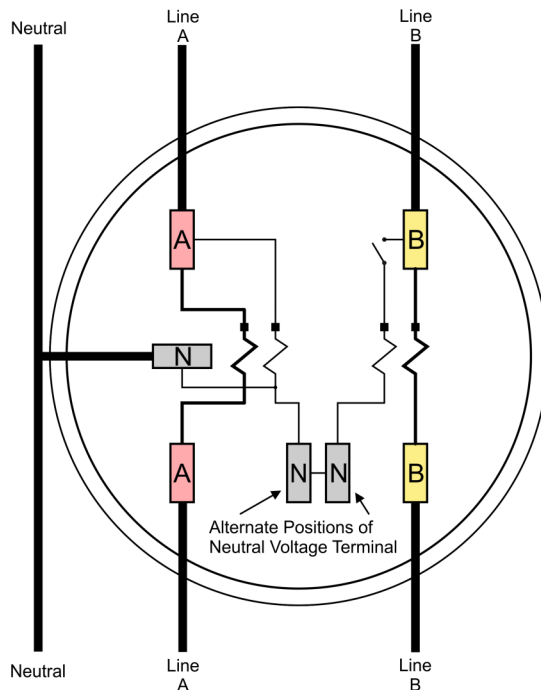
This single phase service is the most common for residential customers. It is also used for small commercial customers. A single center tapped transformer provides two hot lines and a neutral.

Distribution Phasors

Phase	V(p-n)	V ϕ	I(x-y)	I ϕ
A	120	0	I _a	0
B	120	180	I _b	180



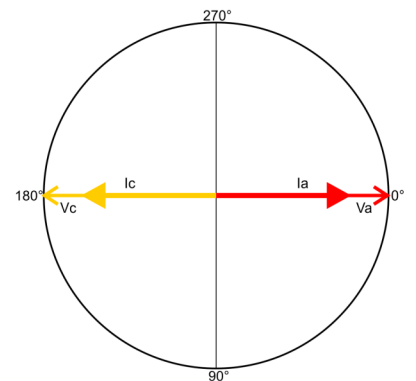
12S Blondel (2V 2I 3W)



$$P = \vec{V}_a \cdot \vec{I}_a + \vec{V}_b \cdot \vec{I}_b$$

Meter Phasor

Phase	V(p-n)	V ϕ	I(x-y)	I ϕ
A	120	0	I _a	0
B	120	180	I _b	180



The meter phasors and the distribution phasors are identical.